


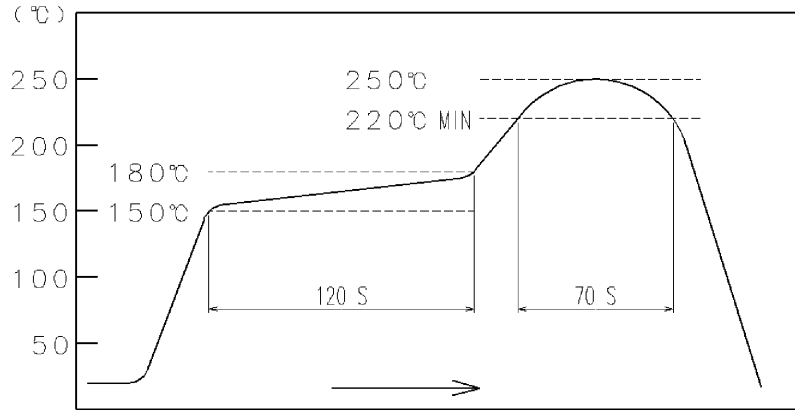


APPLICABLE STANDARD		USB2.0 SPECIFICATION AND MICRO-USB CABLES AND CONNECTORS SPECIFICATION.				
RATING	OPERATING TEMPERATURE RANGE	-30°C TO +85°C	STORAGE TEMPERATURE RANGE	-30°C TO +60°C		
	VOLTAGE	AC 30V	CURRENT	SIGNAL ONLY	1.0 A/pin	
				POWER APPLY	1.8 A/pin (PIN No.1,No.5) 0.5 A/pin (PIN No.2-No.4)	
<b>SPECIFICATIONS</b>						
ITEM	TEST METHOD			REQUIREMENTS	QT	AT
<b>CONSTRUCTION</b>						
GENERAL EXAMINATION	VISUALLY AND BY MEASURING INSTRUMENT.			ACCORDING TO DRAWING.	X	X
MARKING	CONFIRMED VISUALLY.				X	X
<b>ELECTRICAL CHARACTERISTICS</b>						
CONTACT RESISTANCE	100 mA (DC OR 1000 Hz).			30 mΩ MAX.	X	X
INSULATION RESISTANCE	500 V DC.			1000 MΩ MIN.	X	X
VOLTAGE PROOF	100 V AC FOR 1 min.			NO FLASHOVER OR BREAKDOWN.	X	X
CAPACITANCE	MEASURE ADJACENT TWO CONTACTS AT 1000±10 Hz AC VOLTAGE.			2 pF MAX.	X	—
<b>MECHANICAL CHARACTERISTICS</b>						
INSERTION AND WITHDRAWAL FORCES	A MAXIMUM RATE OF 12.5 mm/min MEASURED BY APPLICABLE CONNECTOR			INSERTION FORCE 35 N MAX. WITHDRAWAL FORCE 8 N MIN.	X	—
MECHANICAL OPERATION	10000 TIMES INSERTIONS AND EXTRACTIONS. MATING SPEED - MECHANICALLY OPERATED : 500 CYCLES / h OR - MANUALLY OPERATED : 200 CYCLES / h			1) CONTACT RESISTANCE: NO INCREASE OF MORE THAN 10 mΩ FROM INITIAL VALUE. 2) INSERTION FORCE 35 N MAX. WITHDRAWAL FORCE 8 N MIN. 3) NO DAMAGE, CRACK AND LOOSENESS OF PARTS.	X	—
VIBRATION	FREQUENCY 10 TO 55 Hz SINGLE AMPLITUDE 0.75 mm, AT 2h, FOR 3 AXIAL DIRECTIONS, TOTAL 6 h.			1) NO ELECTRICAL DISCONTINUITY OF 1μs. 2) NO DAMAGE, CRACK AND LOOSENESS OF PARTS.	X	—
RANDOM VIBRATION	FREQUENCY 50 TO 2000 Hz AT 15 min, FOR 3 AXIAL DIRECTIONS.				X	—
SHOCK	490 m/s <sup>2</sup> DIRECTIONS OF PULSE 11 ms AT 3 TIMES FOR 6 DIRECTIONS, TOTAL 18 TIMES.				X	—
<b>ENVIRONMENTAL CHARACTERISTICS</b>						
THERMAL SHOCK	TEMP -55 → +15 TO +35 → +85 → +15 TO +35 °C TIME 30 → 2 TO 3 → 30 → 2 TO 3 min UNDER 10 CYCLES. (MATING APPLICABLE CONNECTOR)			1) CONTACT RESISTANCE: 70 mΩ MAX. 2) INSULATION RESISTANCE: 10 MΩ MIN. 3) NO DAMAGE, CRACK AND LOOSENESS OF PARTS.	X	—
HUMIDITY LIFE	TEMPERATURE -10~65 °C, HUMIDITY 90 TO 98 %, UNDER 7 CYCLES (168 h) (MATING APPLICABLE CONNECTOR)			NO DAMAGE, CRACK AND LOOSENESS OF PARTS.	X	—
DRY HEAT	EXPOSED AT 85±2 °C, 96 h. (MATING APPLICABLE CONNECTOR)			NO DAMAGE, CRACK AND LOOSENESS OF PARTS.	X	—
COLD	EXPOSED AT -40±2 °C, 96 h. (MATING APPLICABLE CONNECTOR)			NO DAMAGE, CRACK AND LOOSENESS OF PARTS.	X	—
CORROSION SALT MIST	EXPOSED AT 5 % SALT WATER, 35 °C, FOR 48h. (LEFT UNDER UNMATED CONDITION)			NO HEAVY CORROSION OF CONTACTS.	X	—
SOLDERABILITY	SOLDERING POINT IMMERSSED IN SOLDER BATH OF 255±5°C, 5 sec. (USING TYPE R FLAX)			SOLDER SHALL COVER MINIMUM OF 95% OF THE SURFACE BEING IMMERSSED.	X	—
	COUNT	DESCRIPTION OF REVISIONS		DESIGNED	CHECKED	DATE
						
REMARK				APPROVED	RI. TAKAYASU	11. 08. 30
HIROSE will not guarantee the performance on these specifications In case this product will be mated with the others which is not HIROSE's.				CHECKED	TA. ASO	11. 08. 30
Unless otherwise specified, refer to USB2.0 or EIA 364 .				DESIGNED	TA. TORIHARA	11. 08. 30
				DRAWN	TA. TORIHARA	11. 08. 30
Note QT:Qualification Test AT:Assurance Test X:Applicable Test				DRAWING NO.		ELC4-127248-00
	SPECIFICATION SHEET			PART NO.	ZX62WRD-B-5PC	
	HIROSE ELECTRIC CO., LTD.			CODE NO.	CL242-0059-1-00	

参考図：ご確認用。正式には別途納入仕様書をご請求願います。

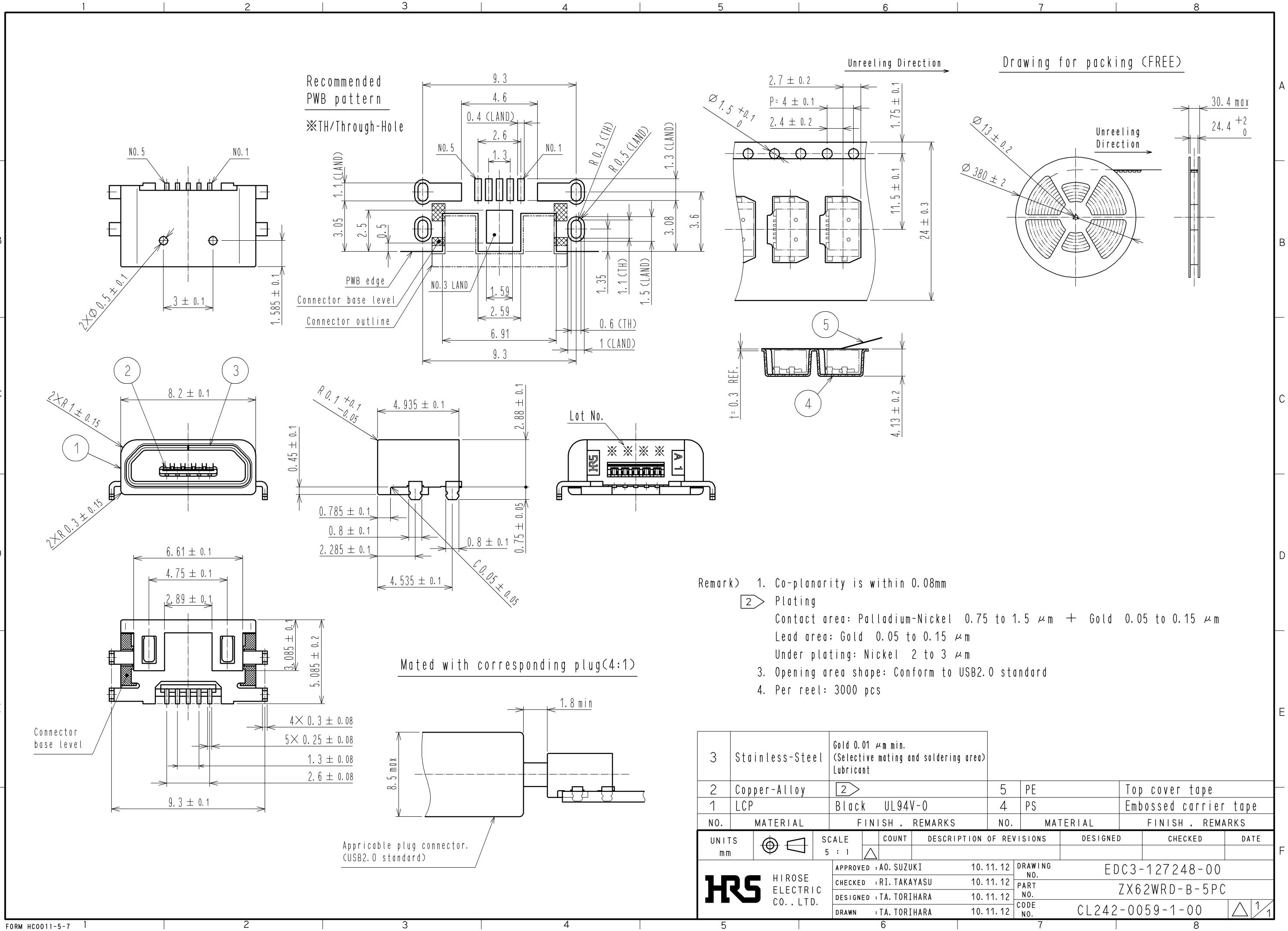
# SPECIFICATIONS

ITEM	TEST METHOD	REQUIREMENTS	QT	AT
RESISTANCE TO SOLDERING HEAT	A PROFILE IS SHOWN IN FIG-1, UNDER 2 CYCLES.	NO DEFORMATION OR SIGNIFICANT LOOSENESS OF CONTACTS.	X	-



**FIG - 1 RESISTANCE TO SOLDERING HEAT**  
(TEMPERATURE AT TOP SURFACE OF CONNECTOR)

Note QT:Qualification Test AT:Assurance Test X:Applicable Test		DRAWING NO. ELC4-127248-00	
<b>HRS</b>	SPECIFICATION SHEET	PART NO.	ZX62WRD-B-5PC
	HIROSE ELECTRIC CO., LTD.	CODE NO	CL242-0059-1-00
			△ 2/2



Remark) 1. Co-planarity is within 0.08mm  
 2. Plating  
 Contact area: Palladium-Nickel 0.75 to 1.5 μm + Gold 0.05 to 0.15 μm  
 Lead area: Gold 0.05 to 0.15 μm  
 Under plating: Nickel 2 to 3 μm  
 3. Opening area shape: Conform to USB2.0 standard  
 4. Per reel: 3000 pcs

3	Stainless-Steel	Gold 0.01 μm min. (Selective mating and soldering area) Lubricant	5	PE	Top cover tape
2	Copper-Alloy	2	4	PS	Embossed carrier tape
1	LCP	Black UL94V-0			
NO.	MATERIAL	FINISH . REMARKS	NO.	MATERIAL	FINISH . REMARKS
UNITS mm		SCALE 5 : 1	COUNT	DESCRIPTION OF REVISIONS	
DESIGNED		CHECKED		DATE	
APPROVED : A0. SUZUKI		10.11.12		DRAWING NO. EDC3-127248-00	
CHECKED : RI. TAKAYASU		10.11.12		PART NO. ZX62WRD-B-5PC	
DESIGNED : TA. TORIHARA		10.11.12		CODE NO. CL242-0059-1-00	
DRAWN : TA. TORIHARA		10.11.12		1/1	